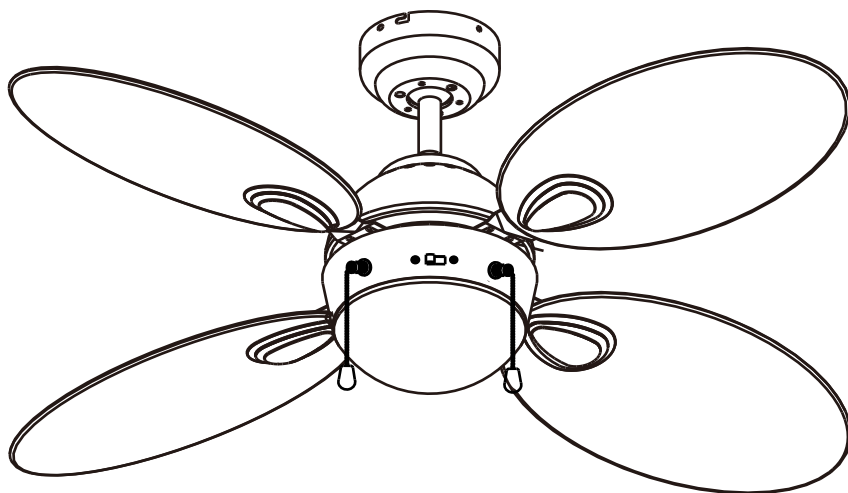


GLOBO

FAN

0318

www.globo-lighting.com

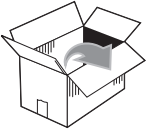


GLOBO Handels GmbH

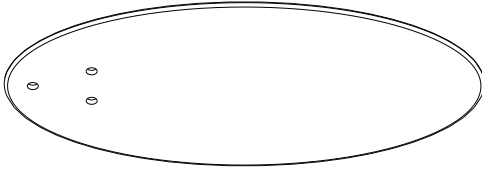
St. Peter 38

A-9184 St.Jakob/Rosental

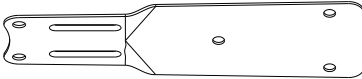




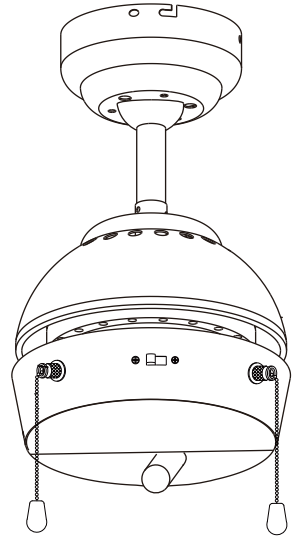
C x4



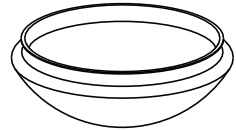
D x4



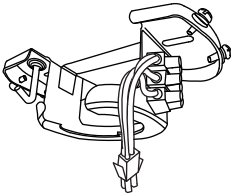
B



E x1



A



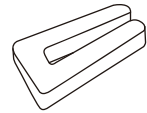
F x4



N

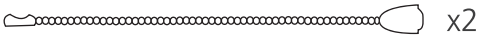
3 GM x4

M



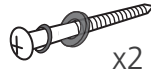
x1

G



x2

H

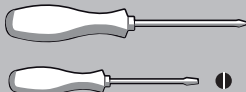
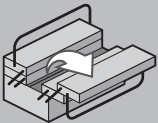


x2

J

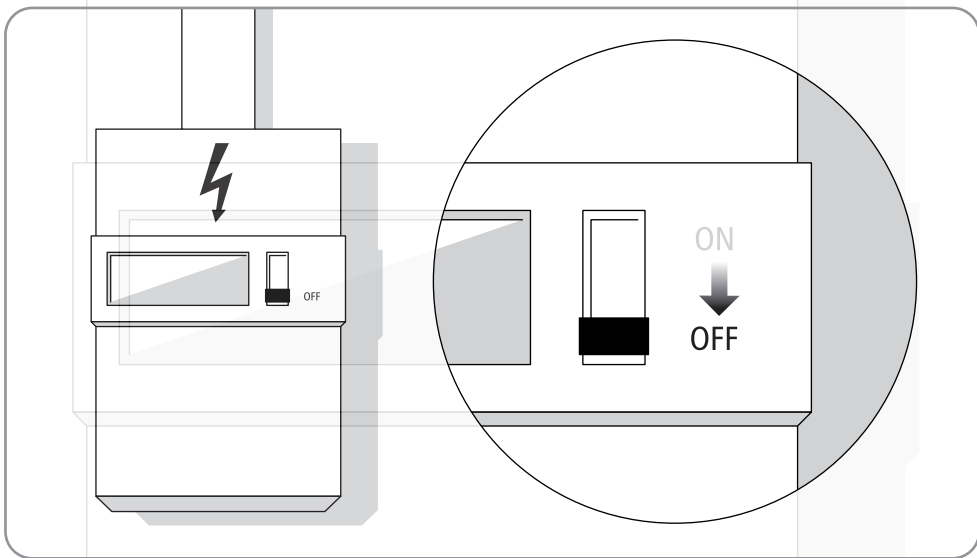
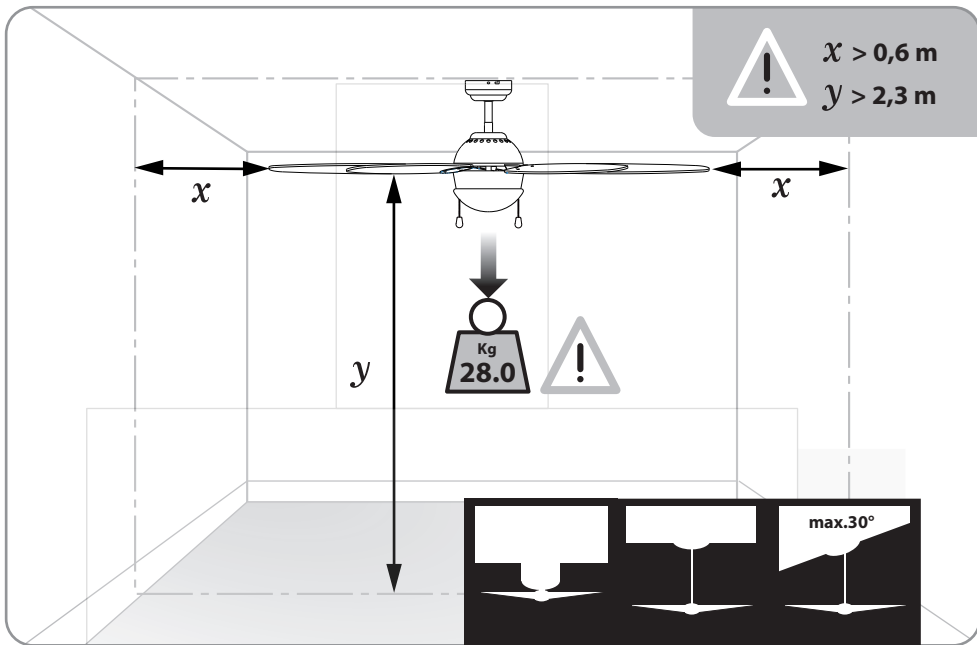


x12

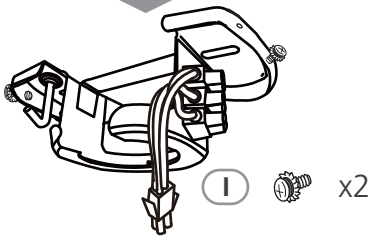
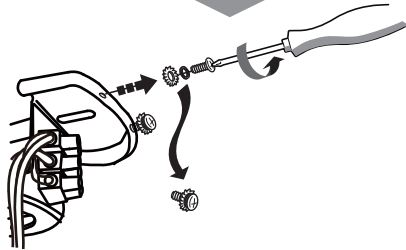
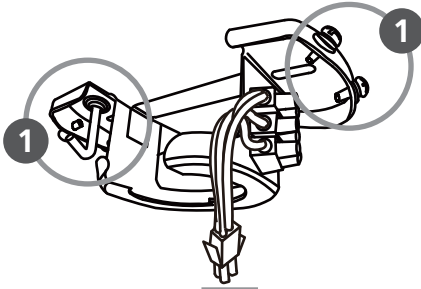


E 14





1

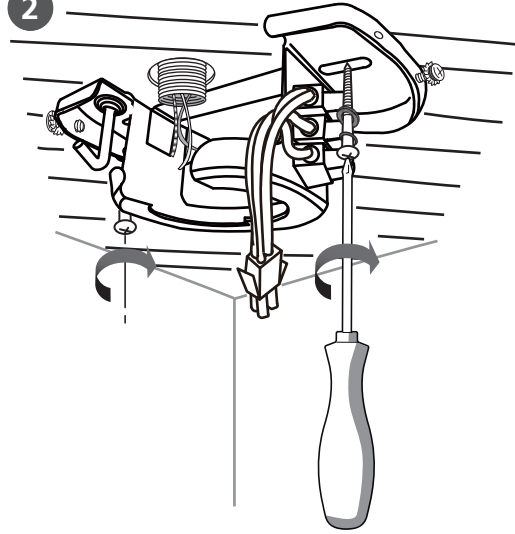


A



+

2



H

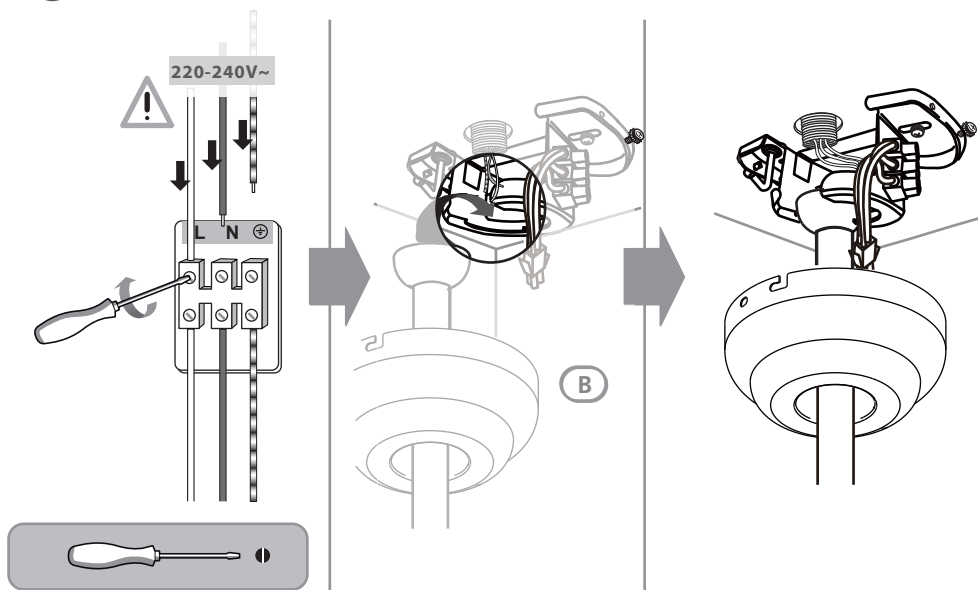


x2

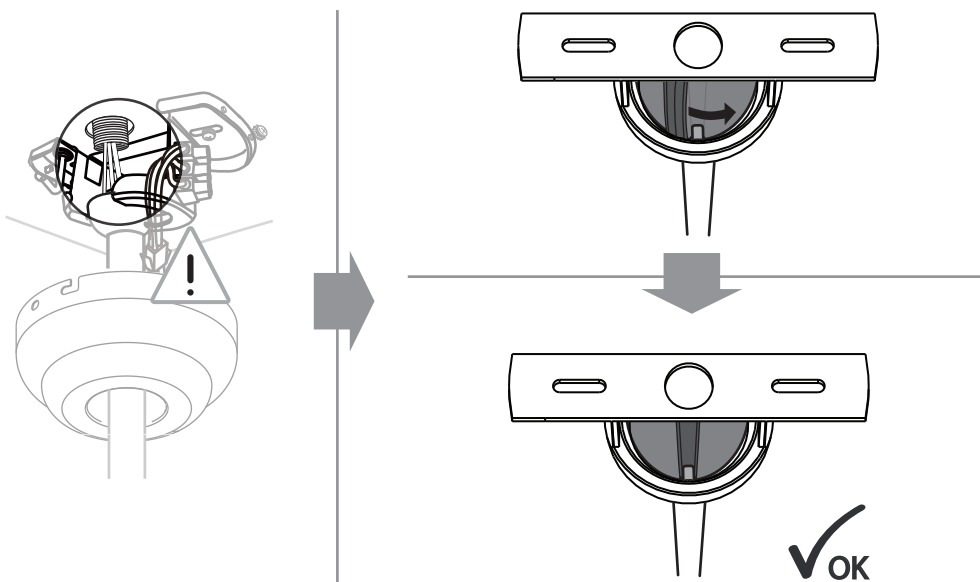


+

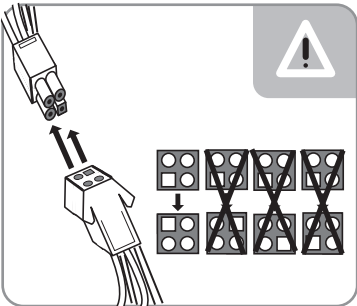
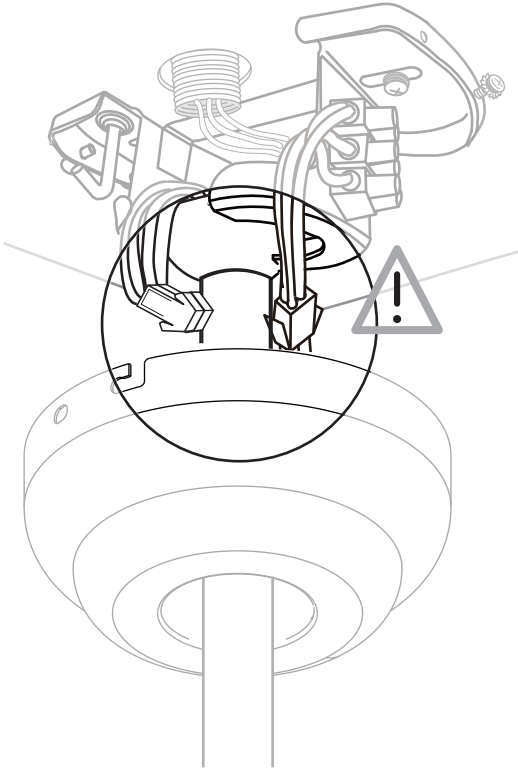
3



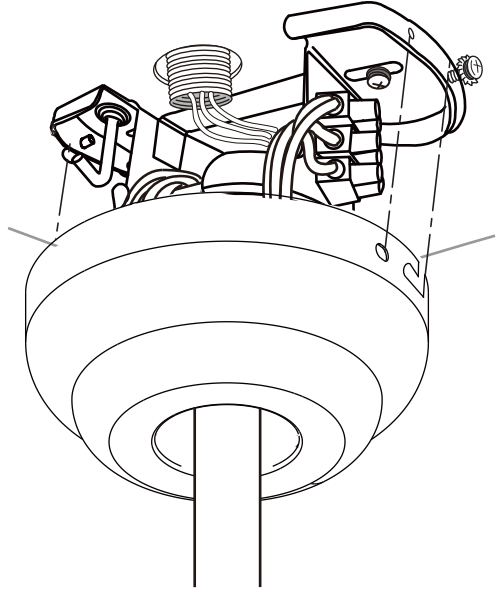
4



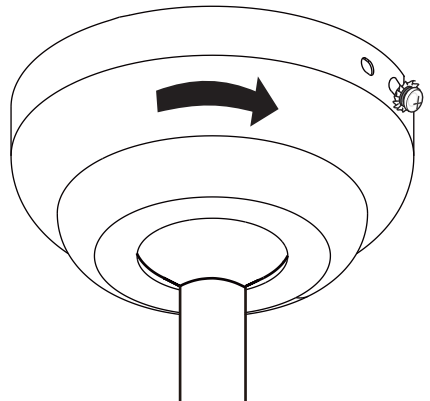
5

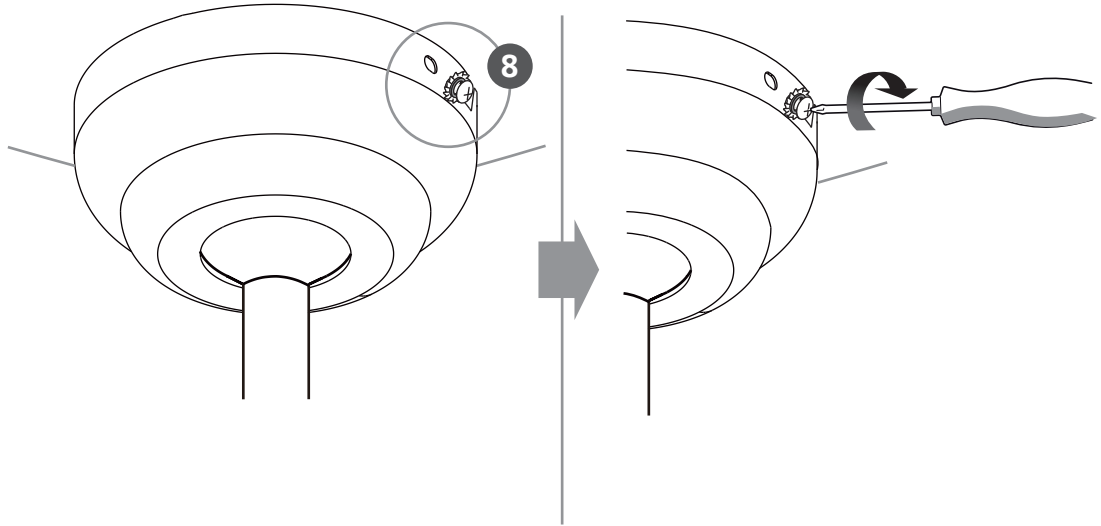


6

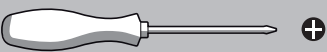
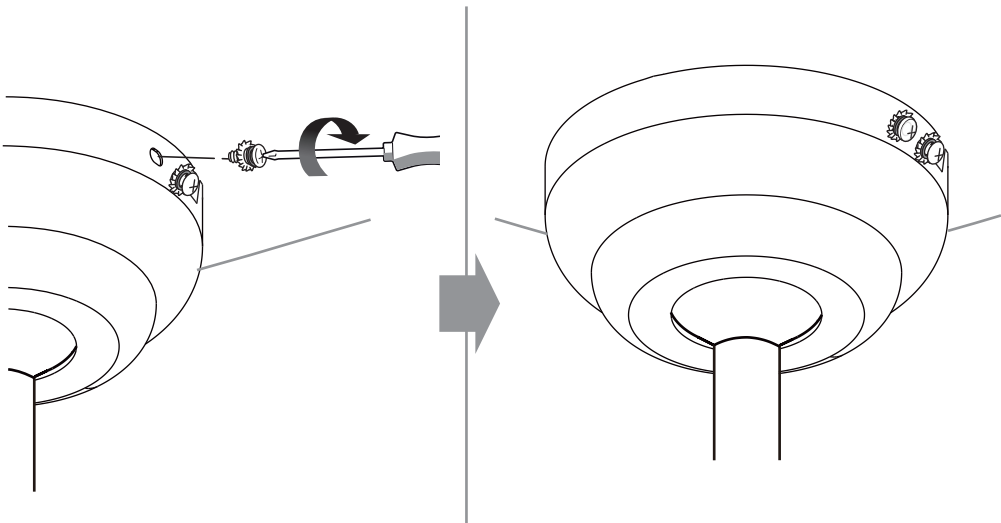


7

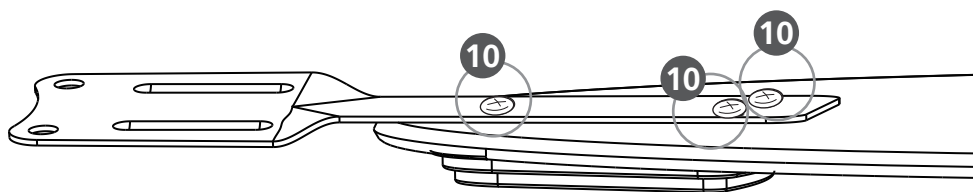
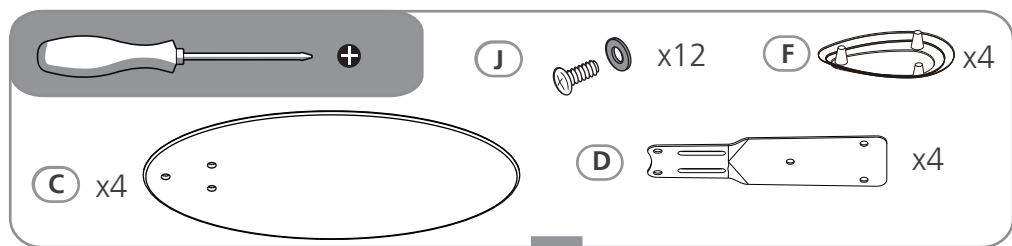
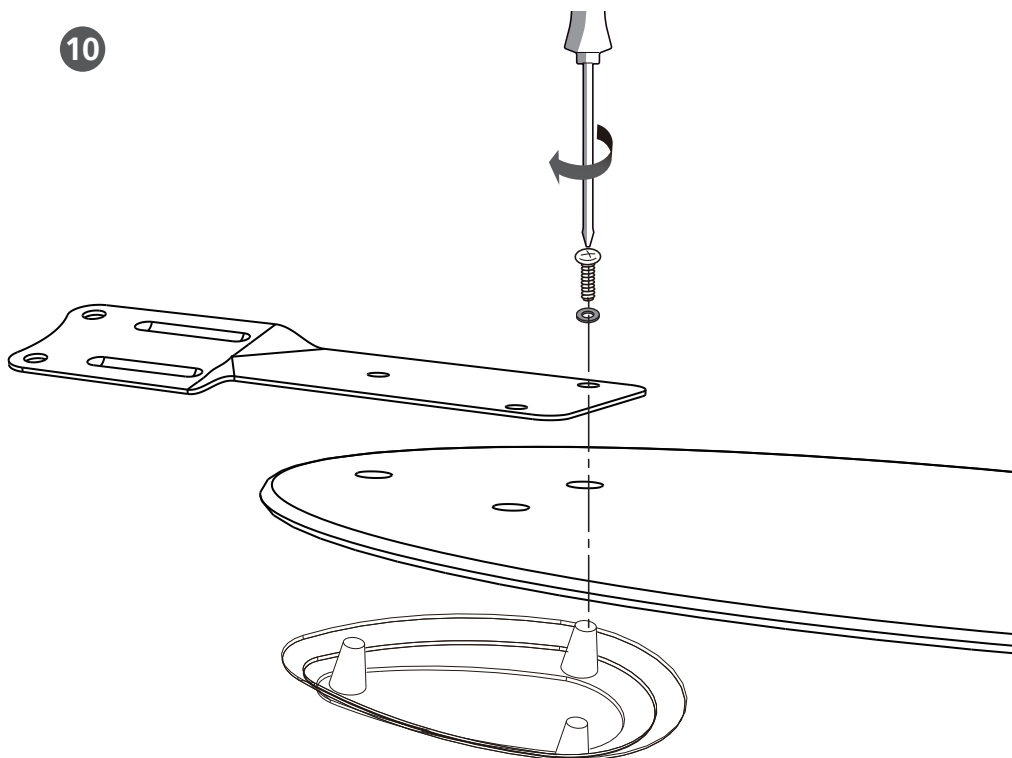




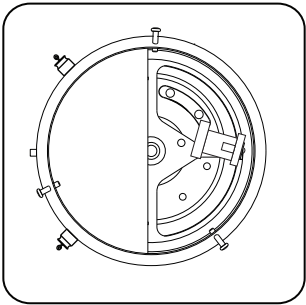
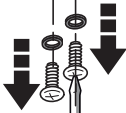
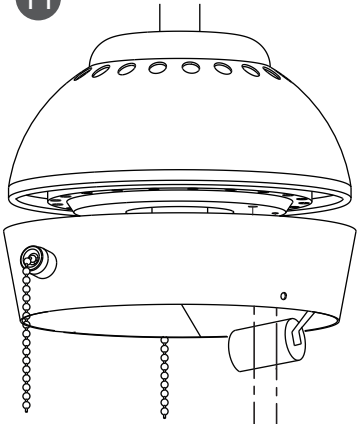
9



10

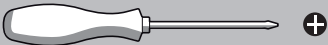
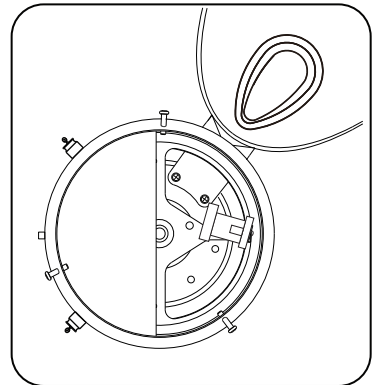
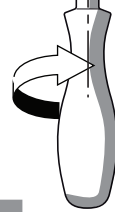
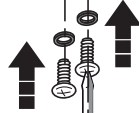
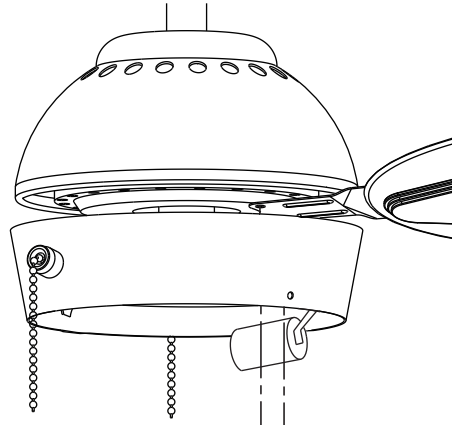


11

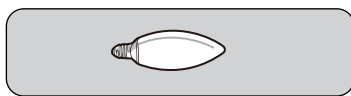
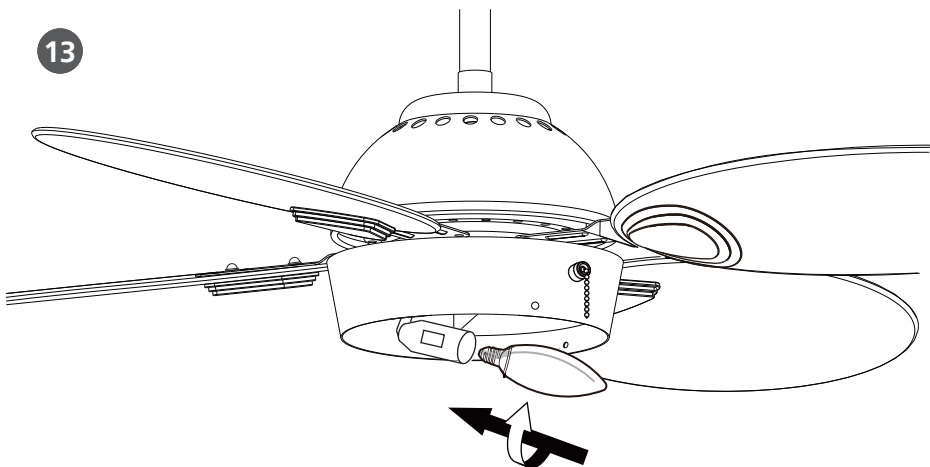


(K)  x 8

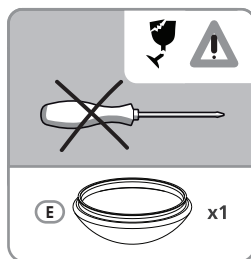
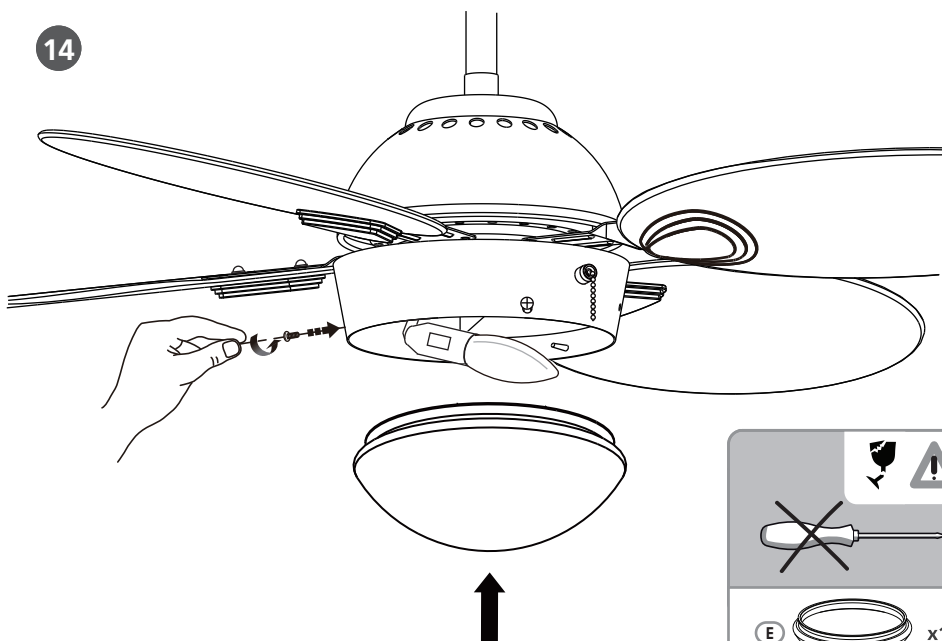
12

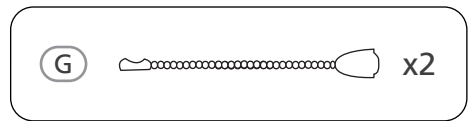
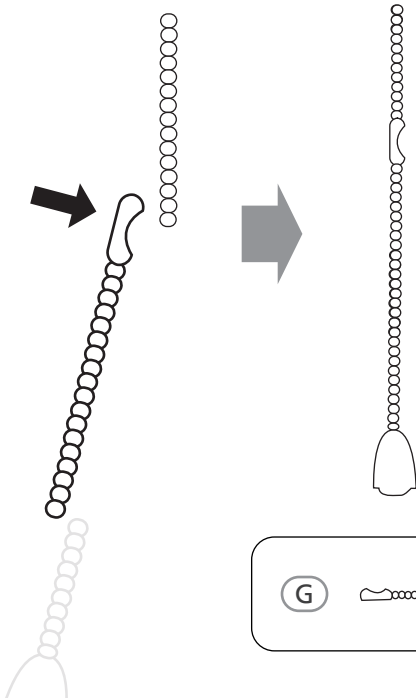
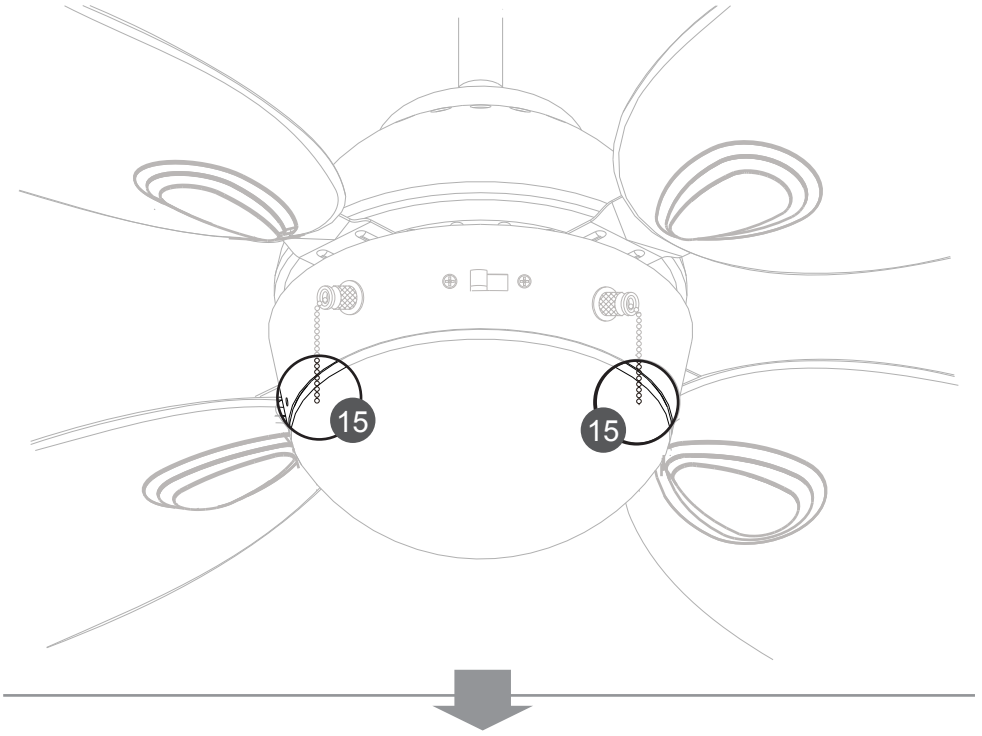


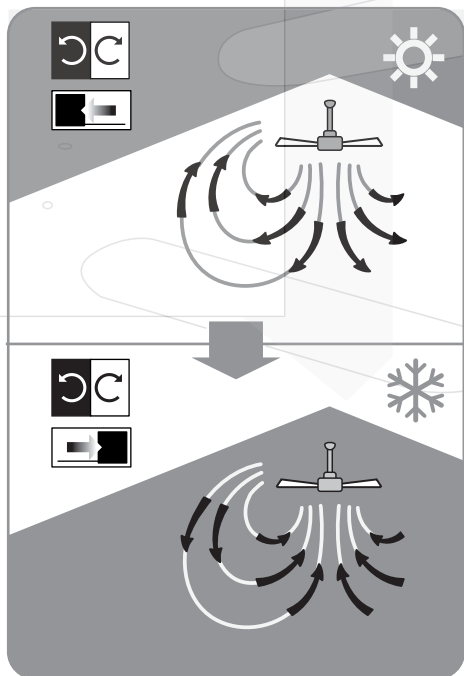
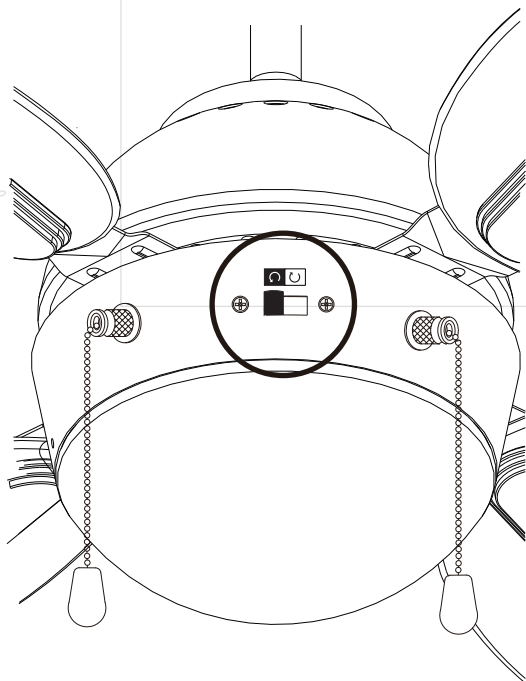
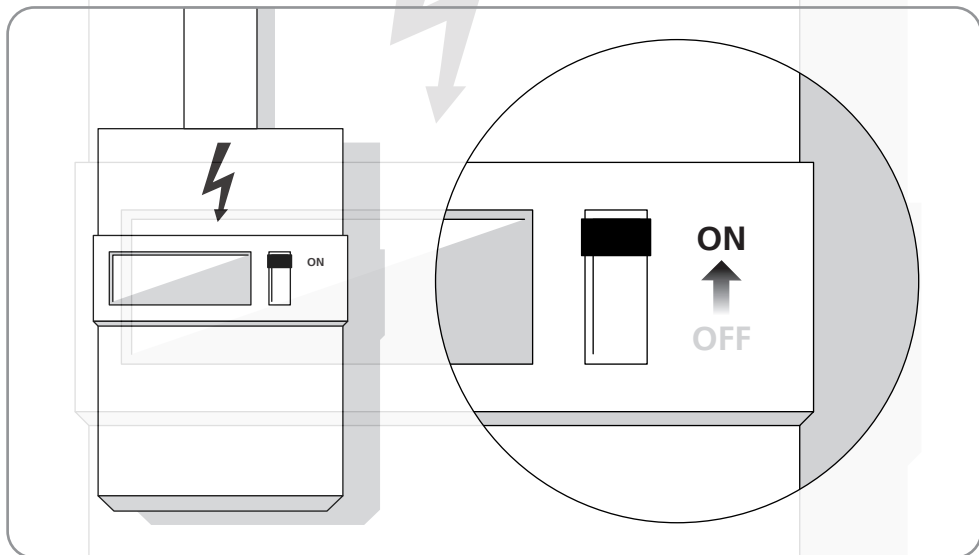
13

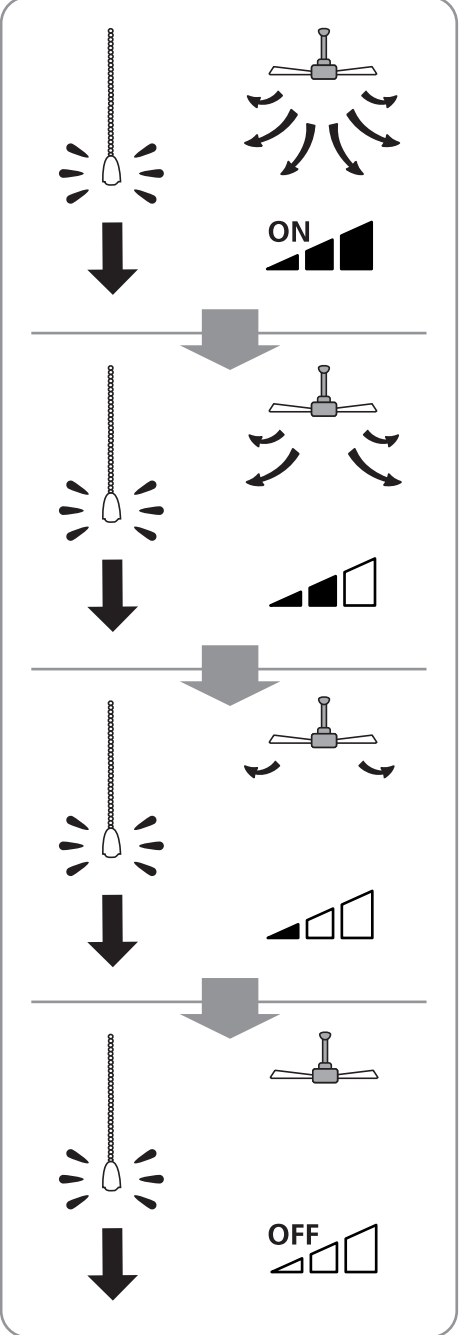
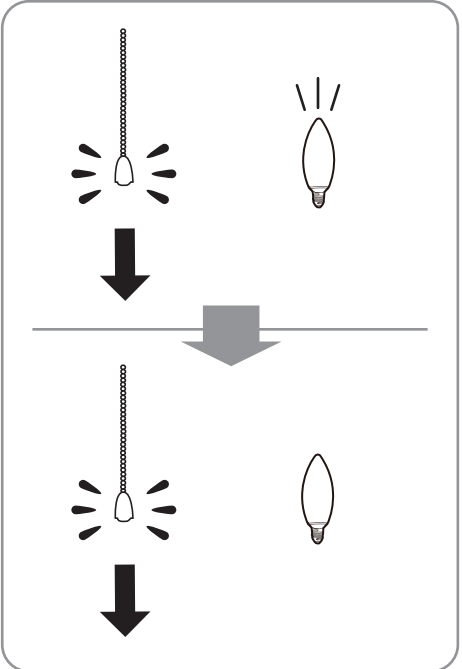
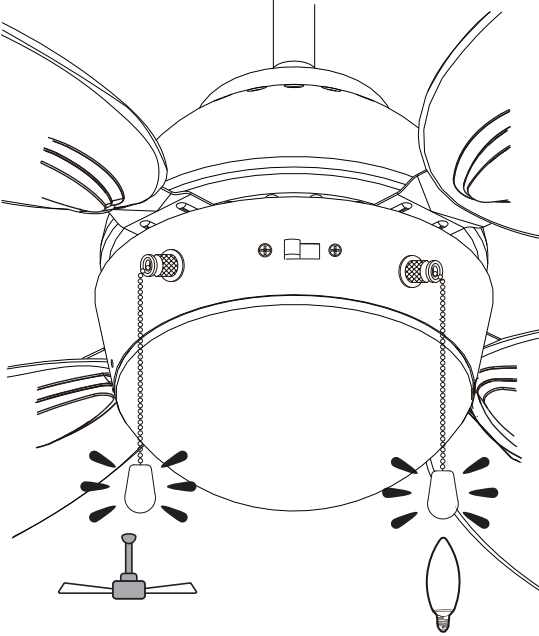


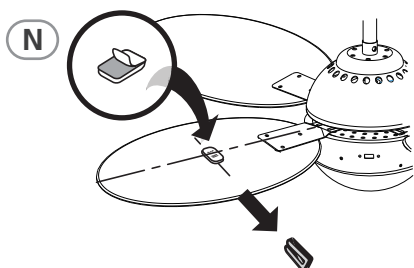
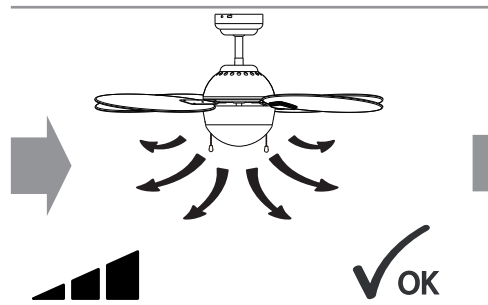
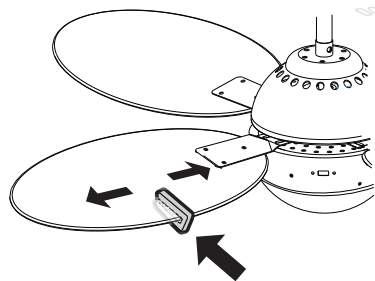
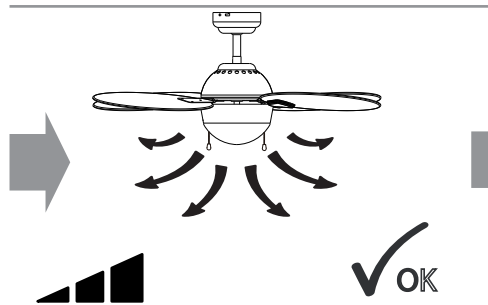
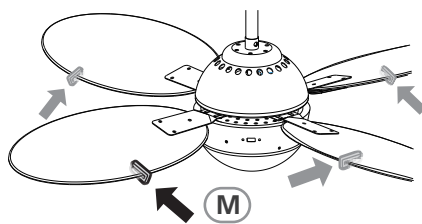
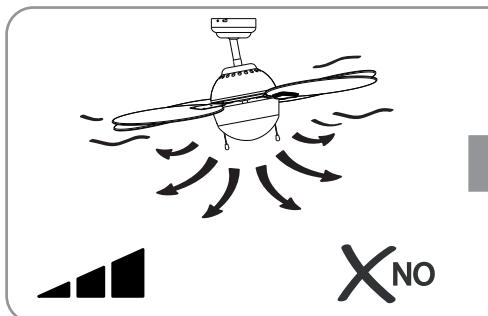
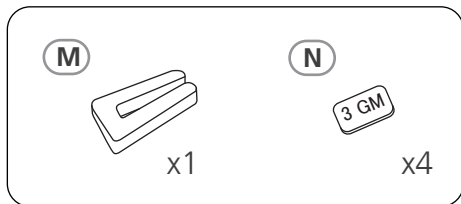
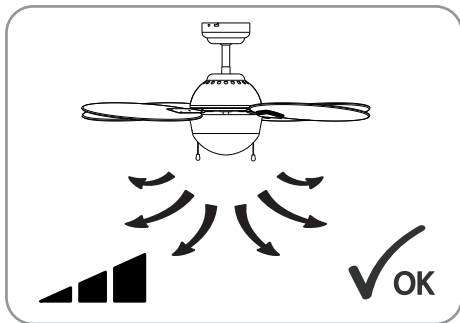
14









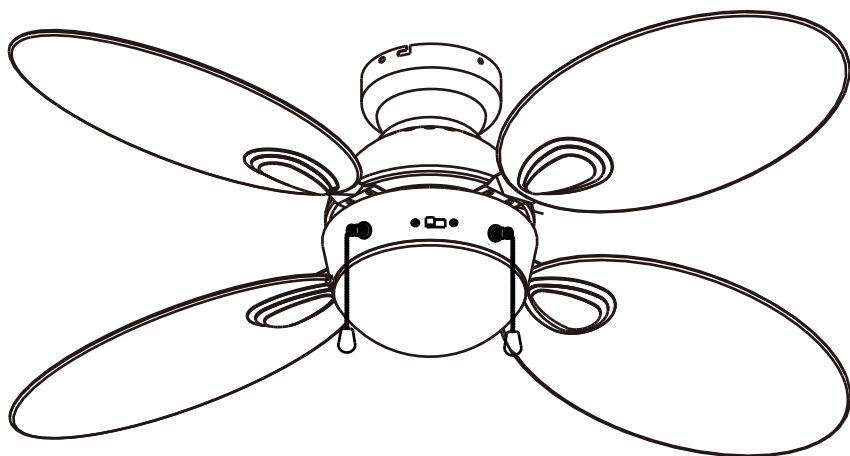


GLOBO

FAN

0318

www.globo-lighting.com

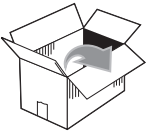


GLOBO Handels GmbH

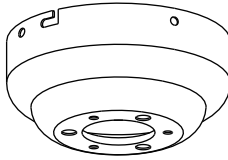
St. Peter 38

A-9184 St.Jakob/Rosental

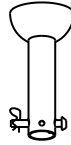




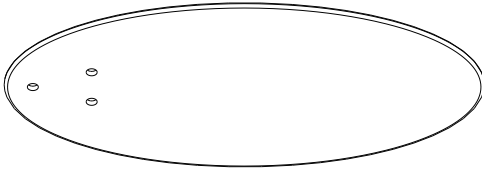
O



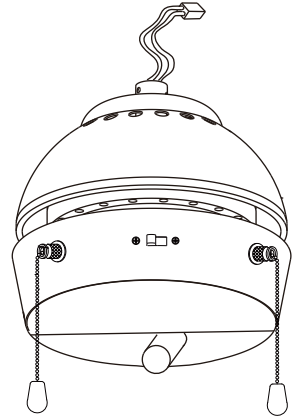
P



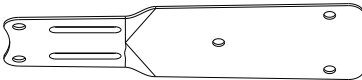
C x4



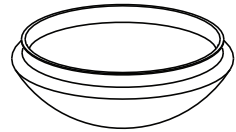
B



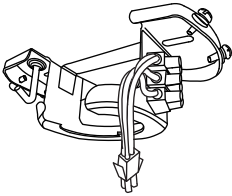
D x4



E



A



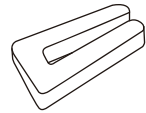
F x4



N

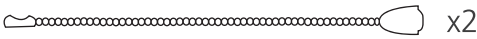
3 GM x4

M



x1

G



x2

H

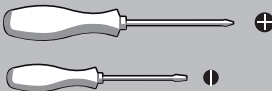
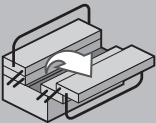


x2

J

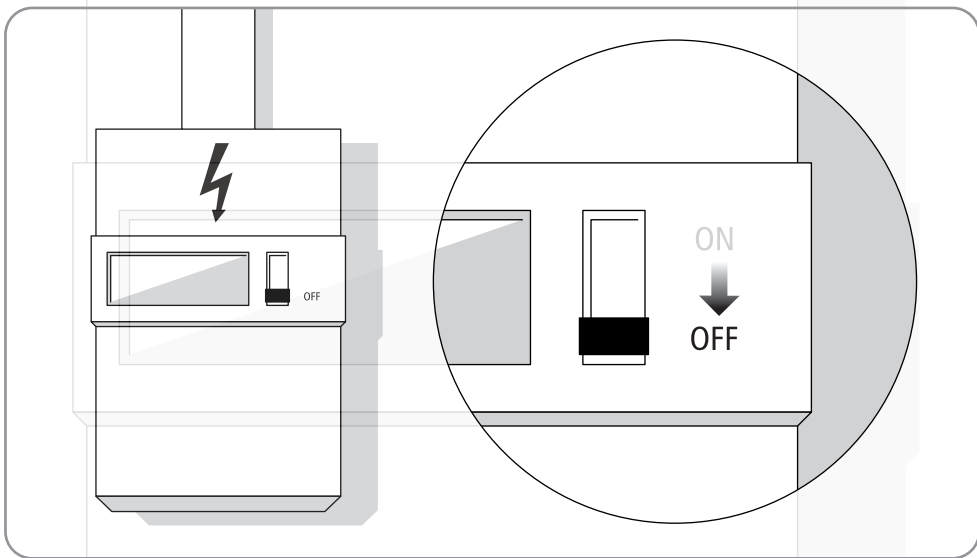
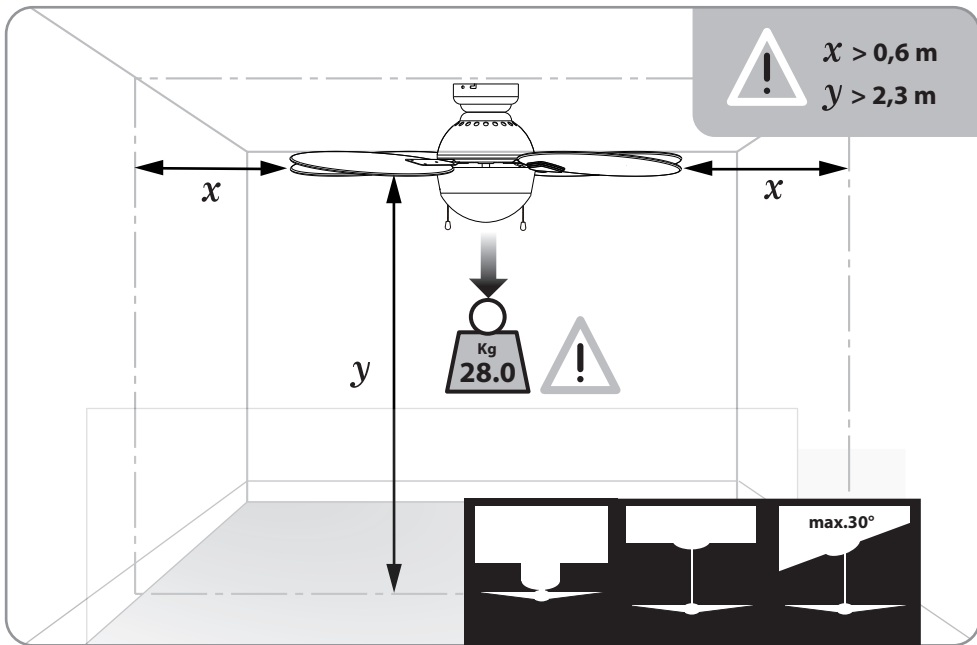


x12

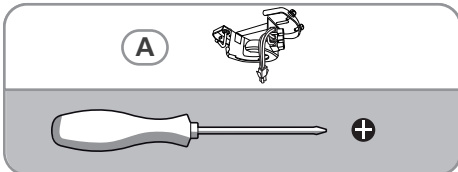
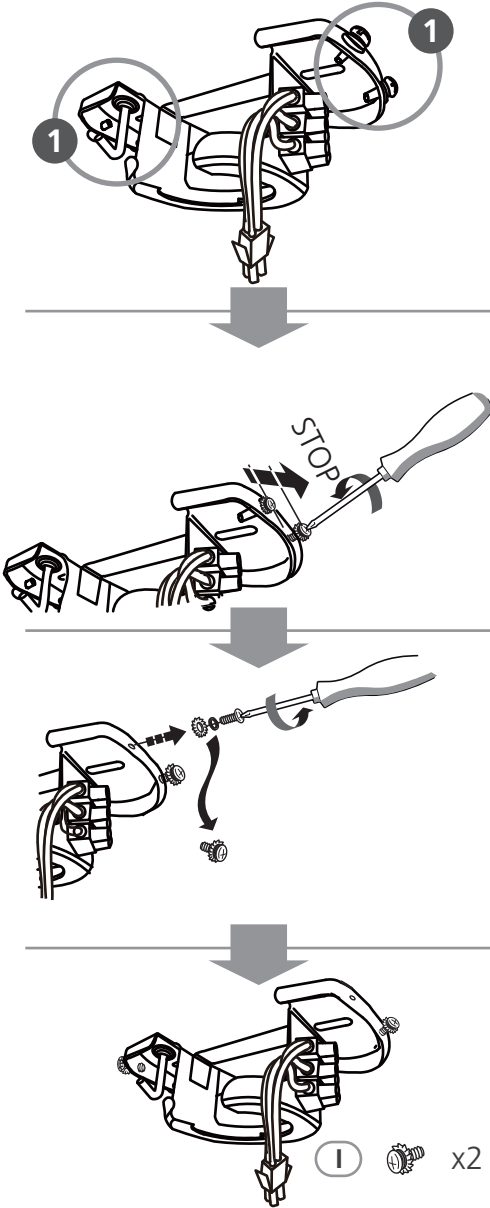


E 14

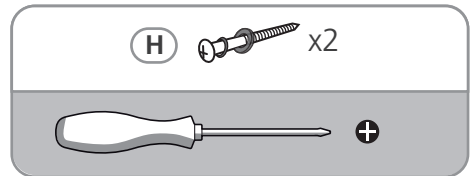
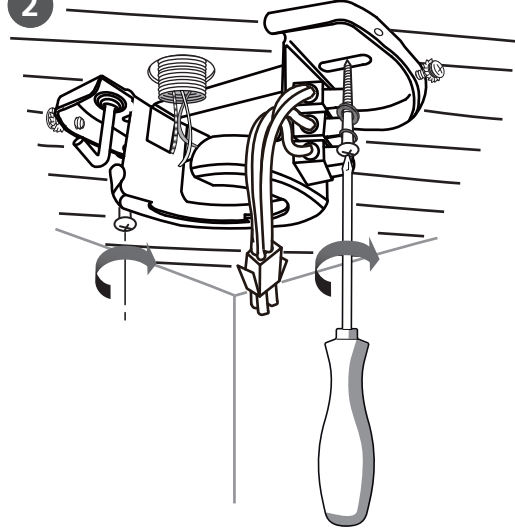




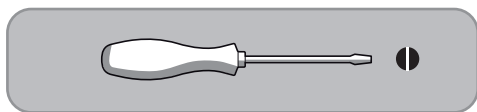
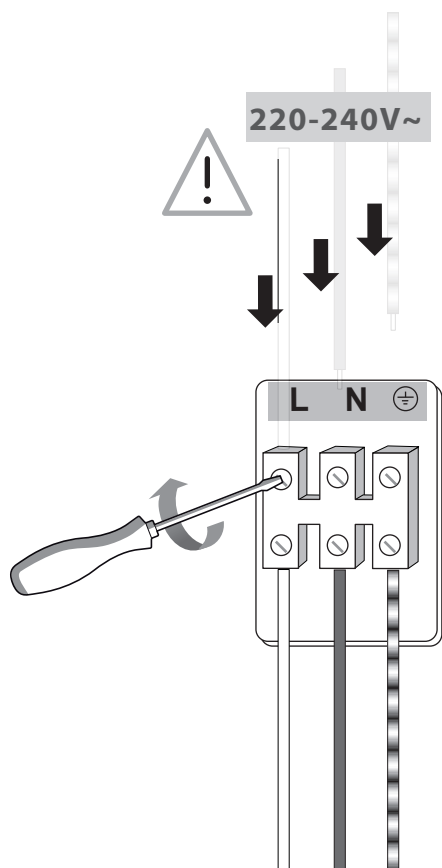
1



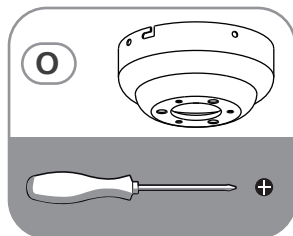
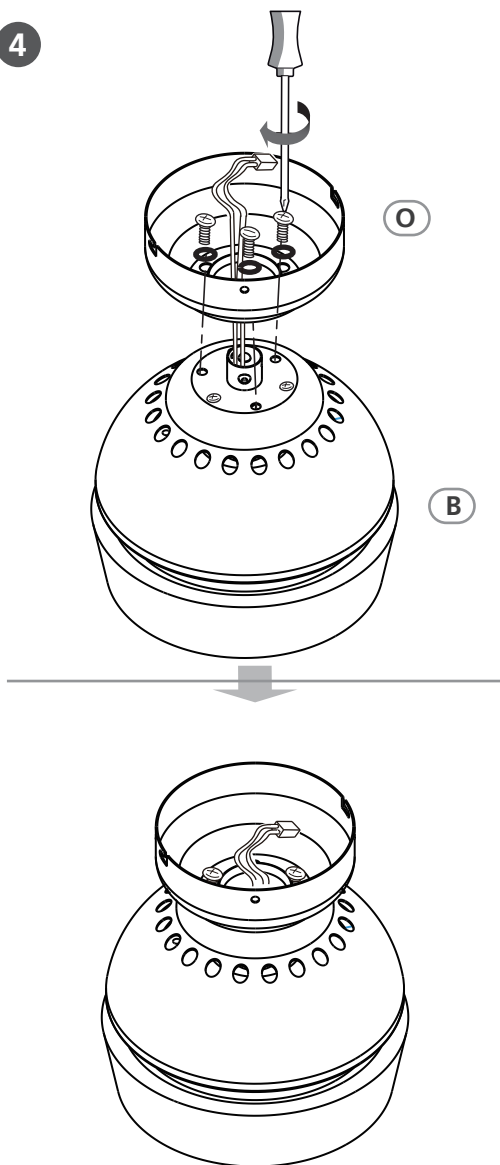
2



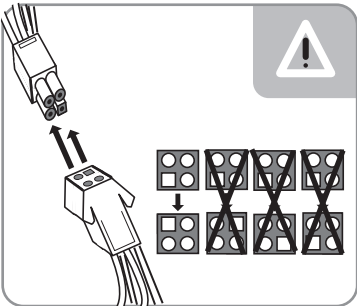
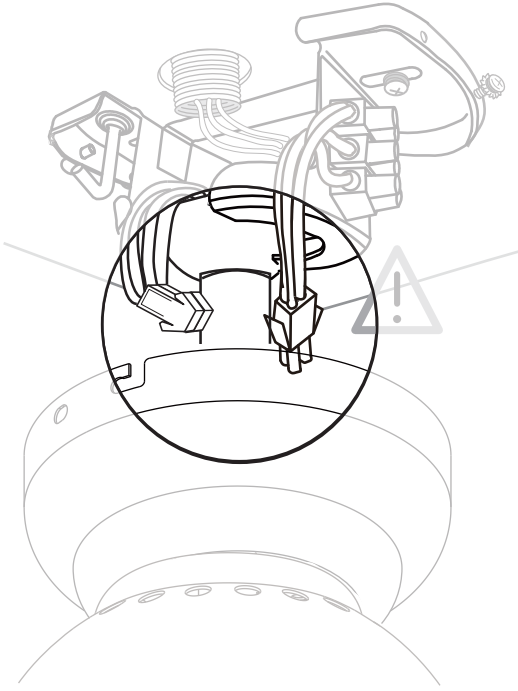
3



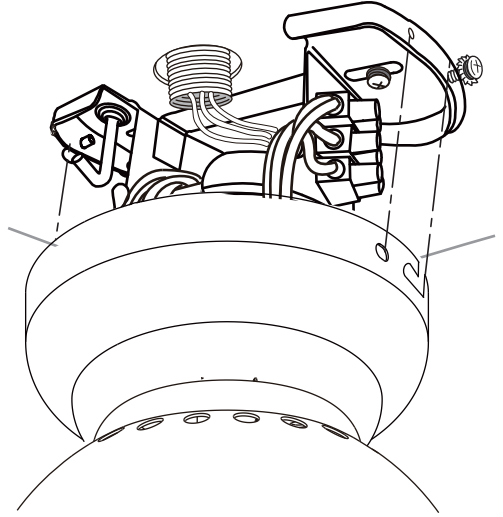
4



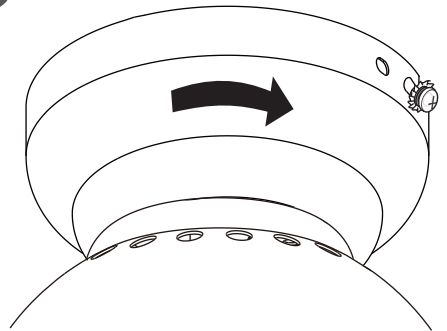
5

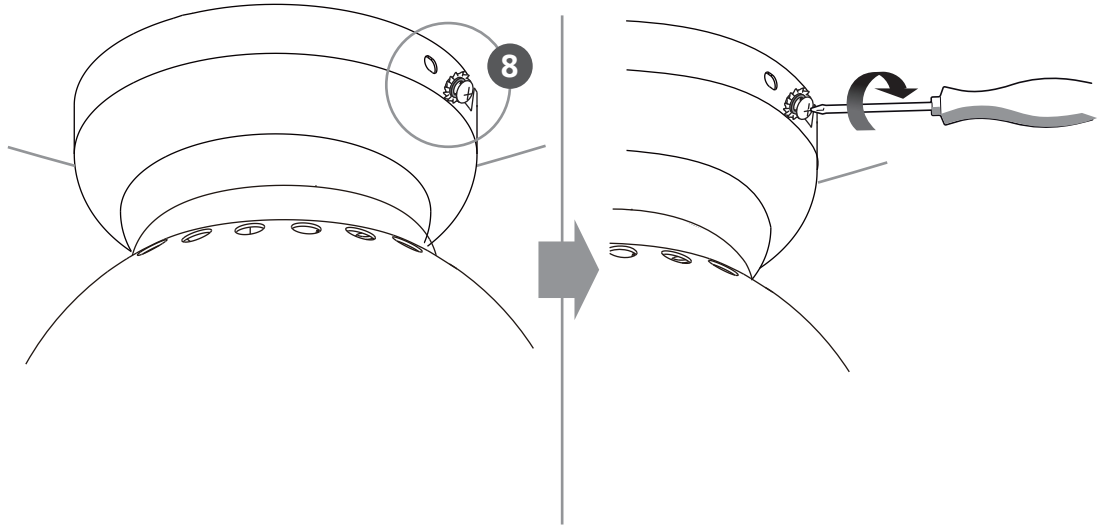


6

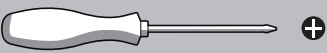
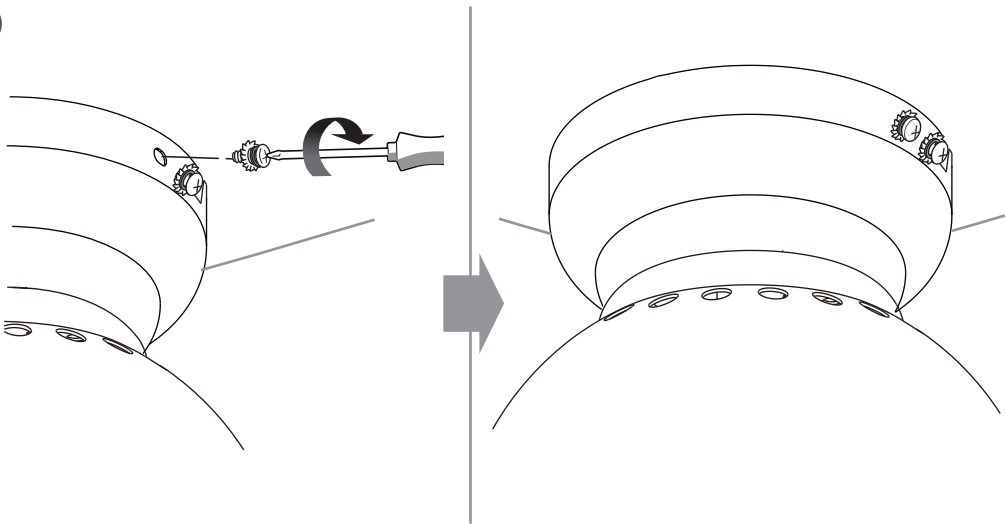


7

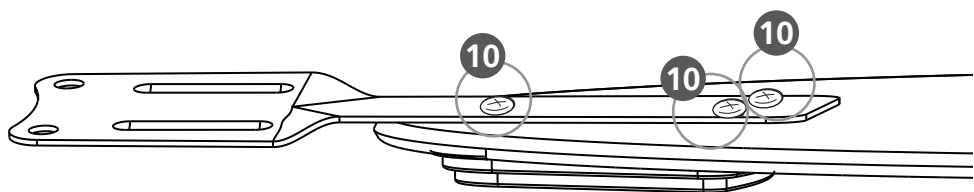
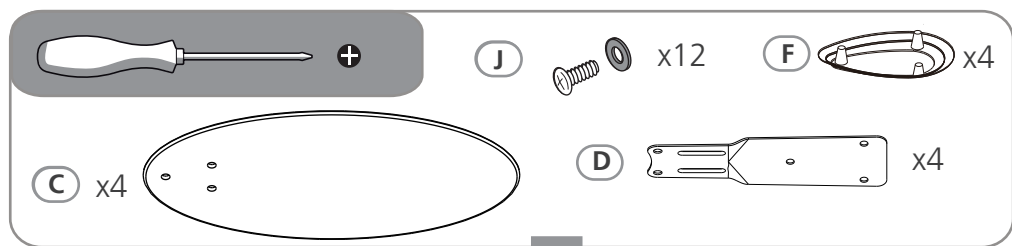
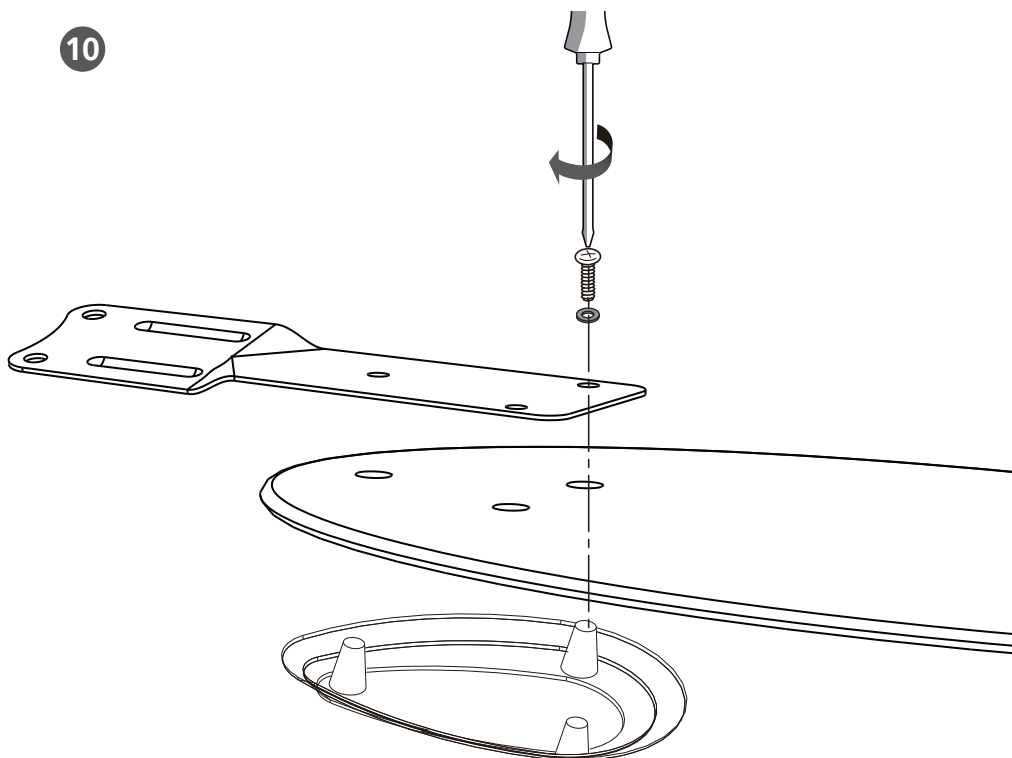




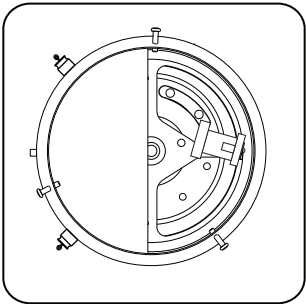
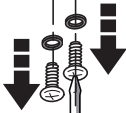
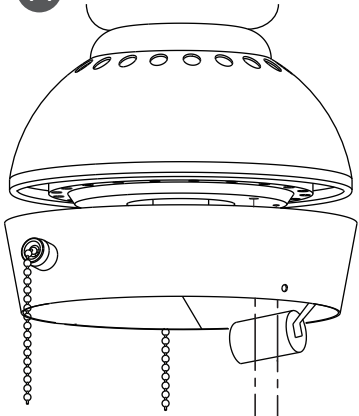
9



10

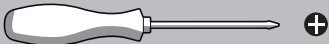
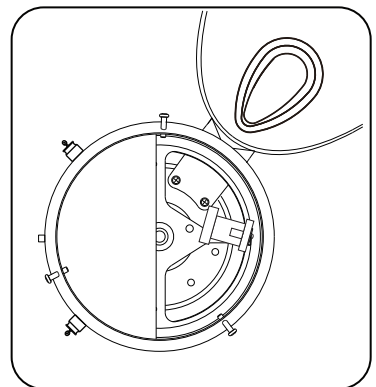
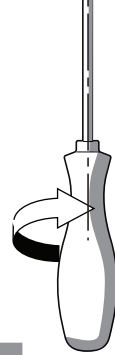
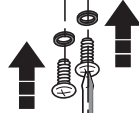
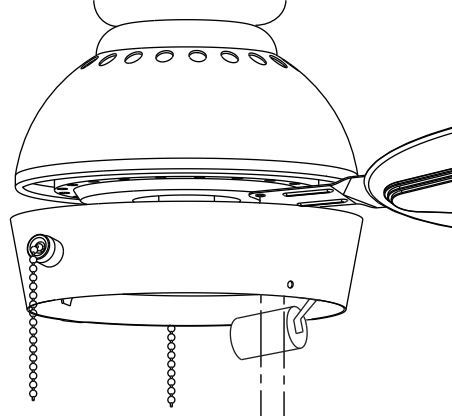


11

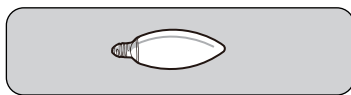
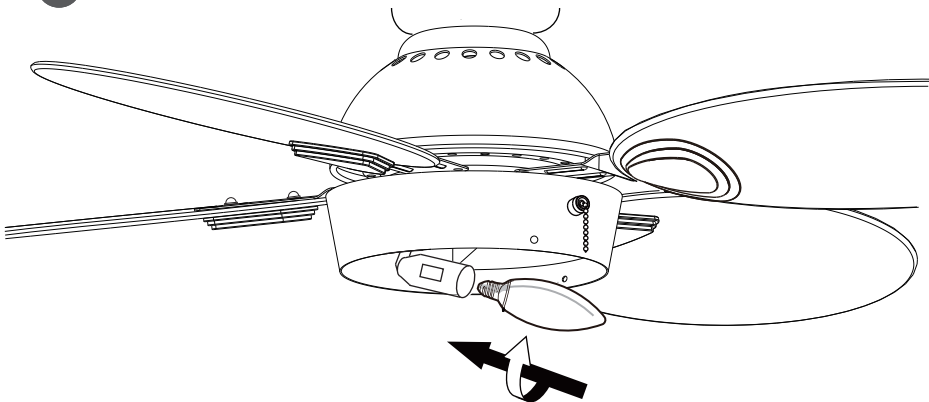


(K) x 8

12



13



14

